

INSTALLATION INSTRUCTIONS

5508
Form No.
8878
ECL-C

PLEASE READ ALL INSTRUCTIONS FROM START TO FINISH BEFORE YOU BEGIN THE INSTALLATION.

INSTRUCTIONS:

1. Place wheels in straight ahead position.
2. This kit is used on many different vehicles, choose the illustration which is like your vehicle.
3. Install axle bracket **A** upon axle housing tube per illustration. Install U-bolt and nuts but do not tighten yet.
4. Install one end of cylinder on bracket **A** per the illustration, paying special attention to whether it is the cylinder or rod end.
5. Install the other end of cylinder to bracket **B** per the illustration.
6. Pull the cylinder rod out four inches and install bracket **B** to tie rod using U-bolts and nuts supplied.
7. Rotate the axle bracket and the tie rod bracket so the smaller rod end of the cylinder is higher than the larger O.D. end of the cylinder.
8. Fully tighten both brackets at this time.
9. Turn the wheels all the way right and all the way left and be sure there is no interference or binding.
10. Inspect all nuts used in installation for tightness periodically.

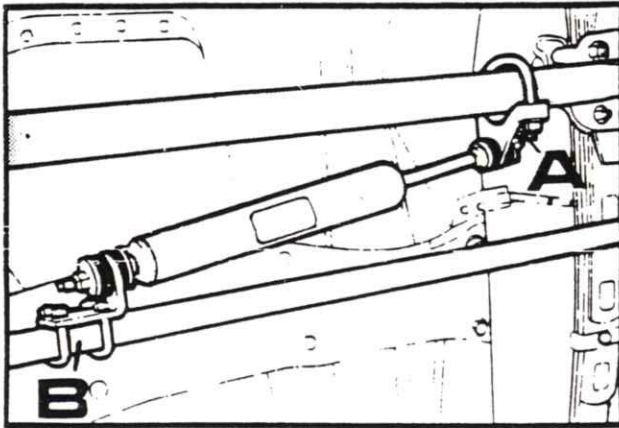


ILLUSTRATION 1 - I Beam Straight Axle 2WD (Common to International, Early Ford Pickups and vans, GMC, Chevrolet and Jeep pickups).

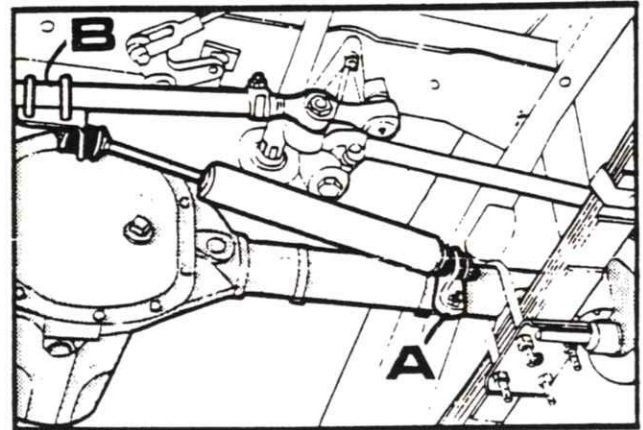


ILLUSTRATION 2 - Jeep Up To 1970 (Before Jeep started using a long single relay rod).

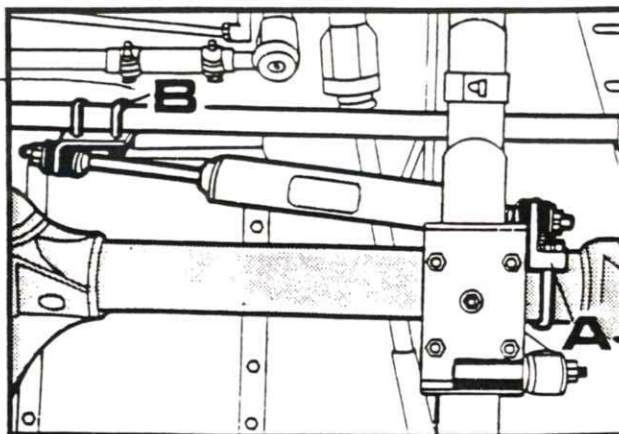


ILLUSTRATION 3 - GMC, Chevrolet, and Early Scout.

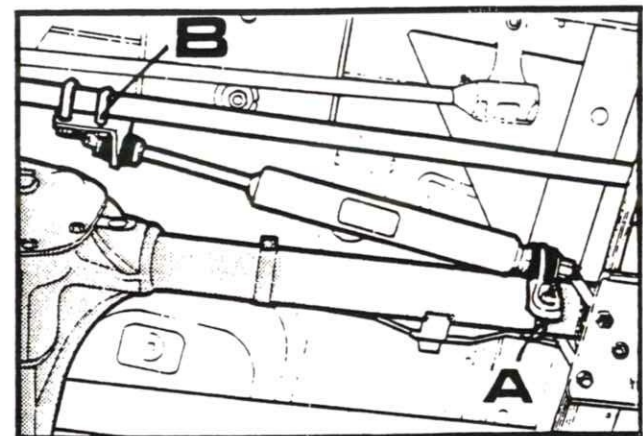


ILLUSTRATION 4 - 1970-75 Jeeps.

RANCHO
INDUSTRIES