



READ ALL INSTRUCTIONS THOROUGHLY FROM START TO FINISH BEFORE BEGINNING INSTALLATION

P/N	DESCRIPTION	QTY.
RS176694	Glide Plate	1
RS860664	Hardware Kit	1
RS740028	5/16-18 x 3.56 x 5.63 U-bolt	1
RS7670	HHCS, 5/16-18 X 1.00	4
RS7642	Washer, 5/16 SAE	4
RS7733	Washer, 5/16 USS	2
RS7768	Nut, 5/16-18 NyLock	2
RS88642	Instruction	1

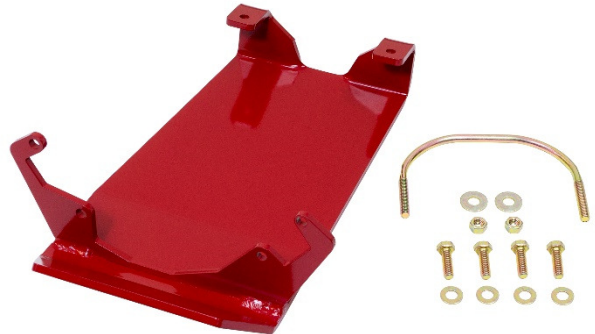


Illustration 1

- 1) Remove four bolts from the bottom of the rear differential. See illustration 2. Do not remove cover.
- 2) Apply thread lock and attach glide plate RS176694 to the differential cover with the supplied hardware. Tighten bolts to 20 ft. lbs. See illustration 3.
- 3) Place U-bolt over the front of the differential and through the glide plate. See illustration 3.
- 4) Attach U-bolt to glide plate with the supplied hardware. Tighten nuts to 20 ft. lbs.

NOTE: Inspect cover for fluid leaks periodically. If a leak is detected, remove and reseal cover per manufacturer's recommendations.

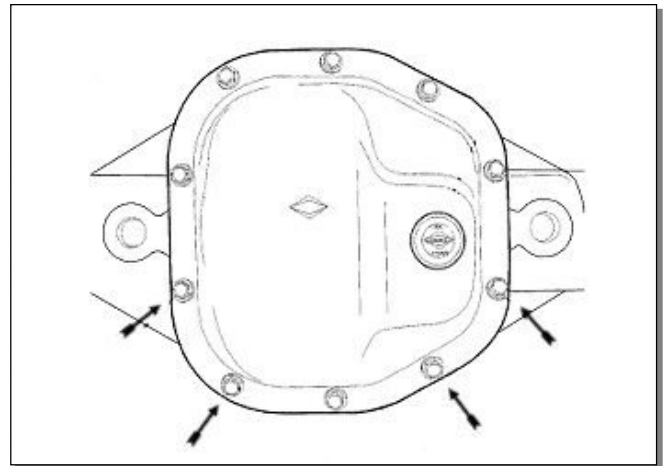


Illustration 2

Torque Specs

Glide Plate to Diff Cover Bolts	20 ft. lbs
U-Bolt Nuts	20 ft. lbs



Illustration 3

www.gorancho.com

Rancho Technical Department 1-800-325-8886.