

RANCHO **rockGEAR™** — RS6212 Front Differential Glide Plate
 Fits 2018-2007 Jeep Wrangler JK Dana 44 Front Axle

Attention: on RHD vehicles – the steering stabilizer must be moved from below the tie rod to a high clearance location to use this part. Rancho p/n RS64100 high clearance bracket with RS5401 steering stabilizer can be used to achieve this

READ ALL INSTRUCTIONS THOROUGHLY FROM START TO FINISH BEFORE BEGINNING INSTALLATION

P/N	DESCRIPTION	QTY.
RS176530	Glide Plate	1
RS176531	Pinion Strap	1
RS860607	Hardware Kit	1
RS7670	5/16-18 x 1.00 HHCS	4
RS770131	M8-1.25 x 55 HHCS	2
RS603112	M8-1.25 Nylock Nut	2
RS7642	5/16 SAE Washer	8
RS42702	Thread Lock	1
RS88612	Instruction	1



Illustration 1

- 1) Remove four bolts from the bottom of the front differential. See illustration 2. Do not remove cover.
- 2) Attach glide plate 176530 to the differential cover with the supplied hardware. Apply thread lock and use the shorter bolts. Torque to 20 ft. lbs. See illustration 3.
- 3) Place pinion strap 176531 over the back of the differential. High side of strap should face the passenger side.
- 4) Attach pinion strap to glide plate with the supplied hardware (longer bolts).
- 5) Torque all nuts and bolts to 20 ft. lbs.

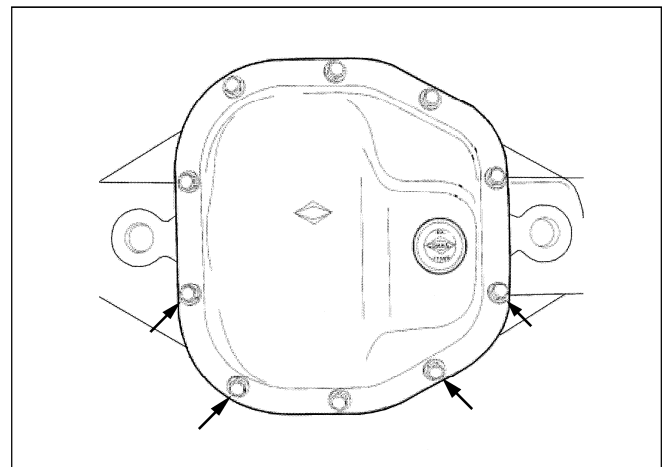


Illustration 2

Inspect cover for fluid leaks periodically. If a leak is detected, remove and reseal cover per manufacturer's recommendations.

Torque Specs

Glide Plate to Diff Cover Bolts	20 ft. lbs
Pinion Strap Hardware	20 ft. lbs

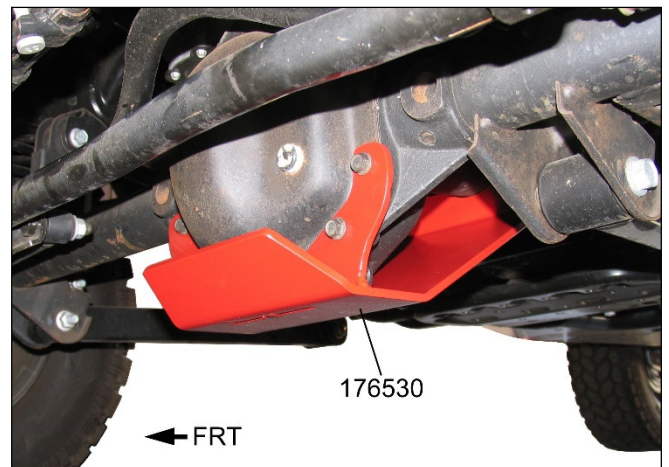


Illustration 3

www.gorancho.com

Rancho Technical Department 1-800-325-8886.