

E4-WM5-Y556A00

MOUNTING INSTRUCTION



IMPORTANT! READ THIS FIRST!

Installation of shock absorbers requires special tools and expert knowledge. Accordingly, installation of all BILSTEIN products must be performed by a qualified suspension specialist.

When replacing other brands, BILSTEIN shock absorbers should always be installed as a set. All BILSTEIN products must only be used for the specific, intended application as indicated in the application guide. **Any use of any BILSTEIN product other than for its intended use may result in serious bodily injury or death.**

Always use a chassis hoist for the installation of BILSTEIN products and make certain that the raised vehicle is securely attached to the hoist and/or supported to prevent the vehicle from slipping, falling, or moving during the installation process.

If you choose to install any BILSTEIN product without the necessary special tools, expertise or chassis hoist, you may subject yourself to the risk of serious bodily injury or death. If you elect not to use a chassis hoist, at least make sure the vehicle is on level ground, that all tires on the ground during installation are blocked to prevent movement, that at least two tires are on the ground at all times, and that adequately secured safety stands (jack stands) are used to support the chassis. **NEVER** get under the vehicle until you have checked to make sure all of these steps are performed.

BILSTEIN suspension products are gas-filled and are highly pressurized.

- Never place any BILSTEIN product in a vise or use a clamp on any BILSTEIN product.
- Never apply heat near any BILSTEIN product.
- Never attempt to open or repair any BILSTEIN product, in order to prevent **serious bodily injury or death.**

Any attempt to misuse, misapply, modify, or tamper with any BILSTEIN suspension product voids any warranty and **may result in serious bodily injury or death.**

While installing any BILSTEIN product:

- Do not use impact tools for loosening or tightening fasteners, because this may destroy the screw threads.
- Self-locking fasteners must only be used **once!**
- Reuse original equipment components only if they are in good condition, otherwise replace them with new components.
- Never remove the slight film of oil on the piston rod and seal.
- All mounting fasteners for shocks and struts must be securely tightened before tension is placed on the suspension system.

After installing any BILSTEIN product:

- The suspension caster and camber must be checked and/or adjusted to comply with the vehicle manufacturer's specifications.
- The (load dependent) brake compensator and the anti-lock brake system must be checked and/or reset to comply with the vehicle manufacturer's specifications.
- The headlight aim must be checked and adjusted.

CAUTION!!!

Before disassembling the front suspension, refer to the vehicle manufacturer's Service Manual for proper procedures. The coil spring is preloaded and must be compressed with a spring compressor to release load before the upper mount is disassembled. Failure to follow the vehicle manufacturer's procedures may cause serious injury or death, and may damage the vehicle.

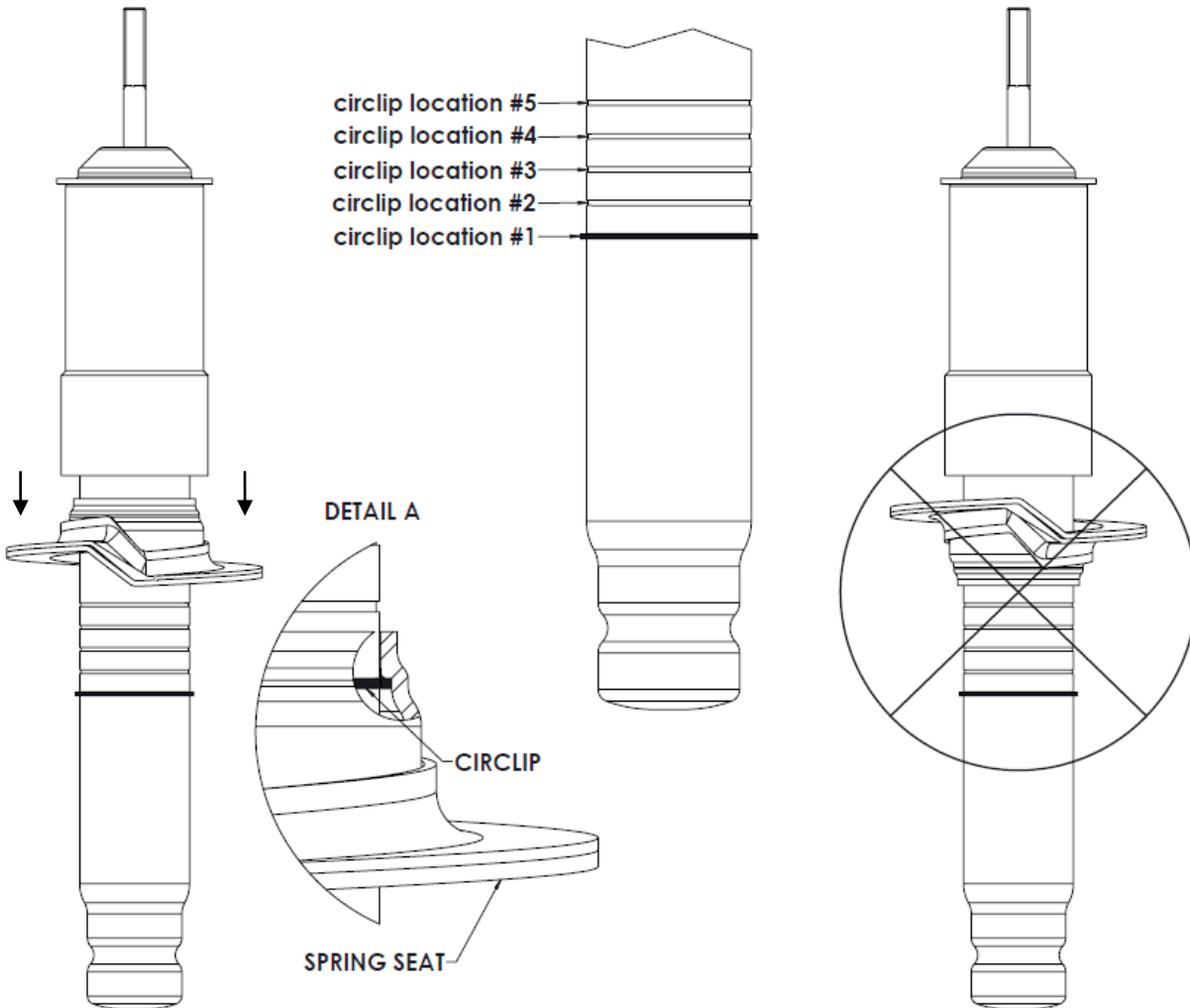
E4-WM5-Y556A00 MOUNTING INSTRUCTION



IMPORTANT:

PLACE CIRCLIP IN APPROPRIATE GROOVE TO ADJUST RIDE HEIGHT.

Use appropriate tools to move the circlip. Ensure that the circlip is fully seated in the groove after moving it (you should be able to rotate it manually in the groove). Install the spring seat in the direction shown only. The circlip must fit completely in the groove inside the spring seat (DETAIL A). **Improper installation will cause permanent damage to the shock!**



B8 5100 Typical Lift Heights**	
Circlip Location	4WD/2WD
#5	2.25" Lift
#4	1.7" Lift
#3	1.15" Lift
#2	0.6" Lift
#1	Stock

**Ride heights indicated are typical. Actual ride height is influenced by which factory suspension the vehicle is equipped with and its condition; optional equipment and accessories on your vehicle, and other vehicle modifications such as replacement coil springs, wheel and tire combinations, etc.

Modifying/lifting the suspension to your vehicle may raise its center of gravity and may make it more susceptible to loss of control and/or rollover, which may result in death or serious injury. We strongly recommend that you offset the loss of rollover resistance as much as possible by increasing tire track width, and that you equip the vehicle with a functional roll bar and cage system. Wear seat belts and shoulder harnesses at all times, and avoid situations where a side rollover may occur.

E4-WM5-Y556A00 MOUNTING INSTRUCTION



Instructions for disassembly of OE shock absorber module:

- A. Remove the existing shock and spring unit from the vehicle following all procedures in the vehicle manufacturer's service manual.
- B. Note the clocking of the coil spring relative to the studs on the upper mount. It is recommended to mark the upper mount (on the metallic area) as shown below to indicate the position of the end of the top coil (important for reassembly).



- C. Also note the assembly order of all OE upper mount components for reassembly.
- D. Using an appropriate spring compressor, compress the spring until it can be rotated freely by hand. Then, disassemble the shock and spring unit making note of which end of the spring is the top and bottom.
- E. Inspect OE parts to be reused and replace with new parts if they show significant signs of wear.

E4-WM5-Y556A00

MOUNTING INSTRUCTION



Instructions for assembly of B8 5100 shock absorber module:

F. Select desired lift height by seating the circlip in the appropriate circlip location (see page 2).

[Refer to the figure on page 5 for steps G-O]

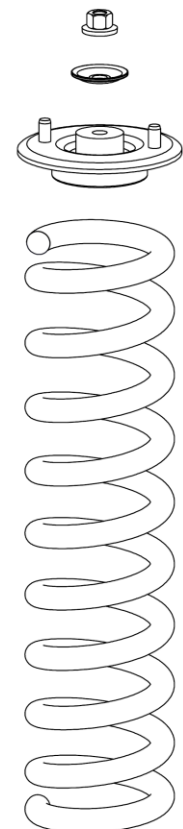
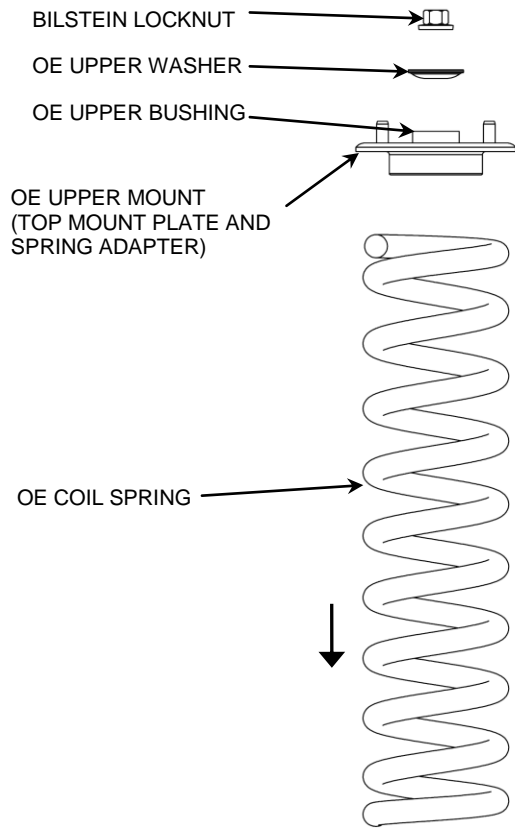
- G. Temporarily remove dust boot and dust boot retainer.
- H. Install the supplied spring seat and spring seat isolator onto the shock body as shown. Ensure the groove inside the spring seat fits over the circlip on the shock body (see DETAIL A on page 2). Improper installation will cause permanent damage to the shock and/or vehicle.
- I. Install the supplied dust boot and dust boot retainer as shown.
- J. Using an appropriate spring compressor, compress the OE coil spring enough to safely assemble it with the new Bilstein shock. Align the bottom coil of the spring with the ramp on the spring seat.
- K. Place the OE upper mount onto the top of the spring and install the Bilstein unit into the spring up through the center of the OE upper mount. Rotate the upper mount so that the end of the top coil is aligned with the mark on the upper mount made in step B.
- L. Install the OE upper bushing onto the stem of the rod as shown.
- M. Install the OE upper washer (concave side up) onto the stem of the rod as shown.
- N. Install the provided new locknut and tighten to vehicle manufacturer's torque specification.
******DO NOT USE AN IMPACT WRENCH TO TIGHTEN THE NUT!******
- O. Slowly release the spring compressor while ensuring the ends of the spring remain aligned with the spring seat and upper mount.
- P. Install the module assembly onto the vehicle using the supplied M12 bolt and locknut and tighten all fasteners to vehicle manufacturer's specifications.
- Q. Check wheel alignment. If necessary, adjust to the vehicle manufacturer's specifications. This completes the installation.

E4-WM5-Y556A00 MOUNTING INSTRUCTION



SIDE VIEW

3D VIEW



SECTION VIEW

